

HBC 塊型油壓缸

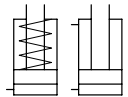


Hydraulic Block Cylinder

• Bore: $\phi 16$ - $\phi 40$ mm • Pmax: 500kg/cm²

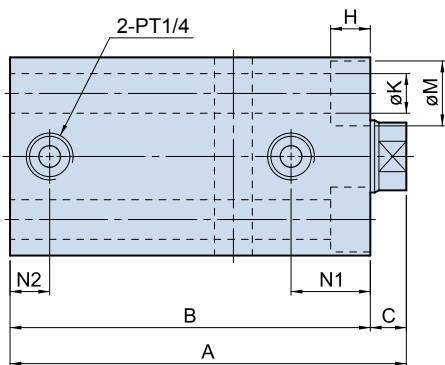
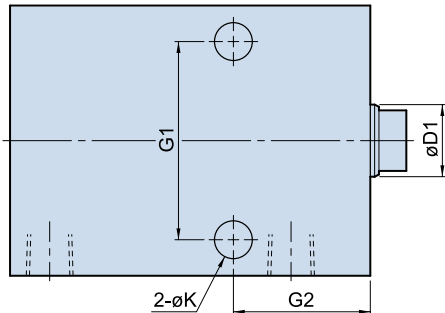
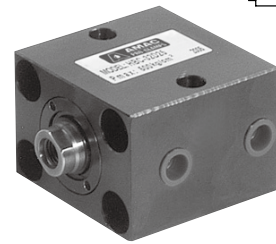
產品簡介

- 本系列油壓缸為德規尺寸，採用進口油封保證耐壓，標準化規格，互換性高。
- 安裝型式為軸向、側向兩用型，作動方式分為單動常入型與復動式。



Product in trodution

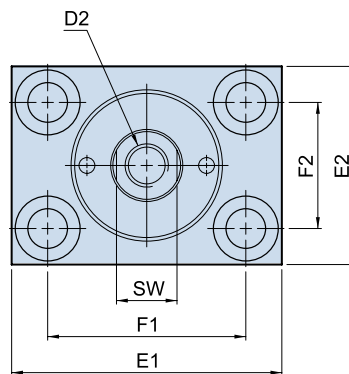
- The series of hydraulic cylinder complies with Germany specifications. Employ imported oil seal for outstanding pressure resistance. Standardized specifications and full interchangeability.
- Axial and side mounting type. Choice of single and double acting.



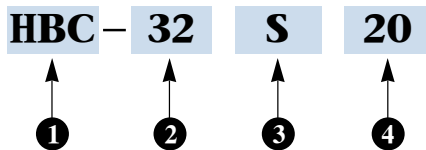
理論出力表 Clamping force

UNIT:Kg

| 油缸內徑 Bore of cylinder (mm) | 活塞桿徑 Piston-rod (mm) | 受壓面積 Pressure area(cm ²) | | 操作壓力 Operation pressure kg/cm ² | | | |
|-------------------------------------|----------------------------|---|------|--|-----|------|------|
| | | F1 | F2 | 100 | | 500 | |
| | | | | F1 | F2 | F1 | F2 |
| $\phi 16$ | $\phi 10$ | 2.01 | 1.22 | 201 | 122 | 1005 | 610 |
| $\phi 25$ | $\phi 16$ | 4.91 | 2.9 | 491 | 290 | 2455 | 1450 |
| $\phi 32$ | $\phi 20$ | 8.04 | 4.9 | 804 | 490 | 4020 | 2450 |
| $\phi 40$ | $\phi 25$ | 12.57 | 7.66 | 1257 | 766 | 6285 | 3830 |



訂購標示法 Order Code



| | | | |
|---|--------------------------|---|------------------|
| 1 | 系列別 Series | HBC | |
| 2 | 油缸內徑 Bore of cylinder | $\phi 16$, $\phi 25$, $\phi 32$, $\phi 40$ | |
| 3 | 作動方式 Acting type | S | 單動 Single-acting |
| | | D | 雙動 Double-acting |
| 4 | 標準行程 Standard stroke | 請參考尺寸表 Refer to the dimensional table | |

Dimensional table

UNIT:mm

| Bore | Single acting | | Double acting | | | C | D1 | D2 | SW | E1 | E2 | F1 | F2 | G1 | G2 | H | K | M | N1 | N2 | |
|-----------|---------------|-----|---------------|--------|-----|-----|----|----|---------------------|----|----|----|----|----|----|----|-----|-----|----|------|----|
| | Stroke | A | B | Stroke | A | | | | | | | | | | | | | | | | B |
| $\phi 16$ | 8 | 62 | 56 | 16 | 62 | 56 | 6 | 10 | M6x1.0 12 Deep | 8 | 60 | 35 | 40 | 22 | 30 | 30 | 6.5 | 6.8 | 11 | 16.5 | 11 |
| | 20 | 97 | 91 | 50 | 97 | 91 | | | | | | | | | | | | | | | |
| $\phi 25$ | 8 | 71 | 64 | 20 | 71 | 64 | 7 | 16 | M10x1.5 15 Deep | 13 | 65 | 45 | 50 | 30 | 50 | 33 | 9 | 9 | 14 | 18 | 11 |
| | 20 | 101 | 94 | 50 | 101 | 94 | | | | | | | | | | | | | | | |
| $\phi 32$ | 10 | 85 | 75 | 25 | 85 | 75 | 10 | 20 | M12x1.75 15 Deep | 17 | 75 | 55 | 55 | 35 | 55 | 38 | 11 | 11 | 18 | 22 | 11 |
| | 20 | 110 | 100 | 50 | 110 | 100 | | | | | | | | | | | | | | | |
| $\phi 40$ | 10 | 89 | 79 | 25 | 89 | 79 | 10 | 25 | M16x2.0 25 Deep | 21 | 85 | 63 | 63 | 40 | 63 | 40 | 11 | 11 | 18 | 24 | 11 |
| | 20 | 114 | 104 | 50 | 114 | 104 | | | | | | | | | | | | | | | |